



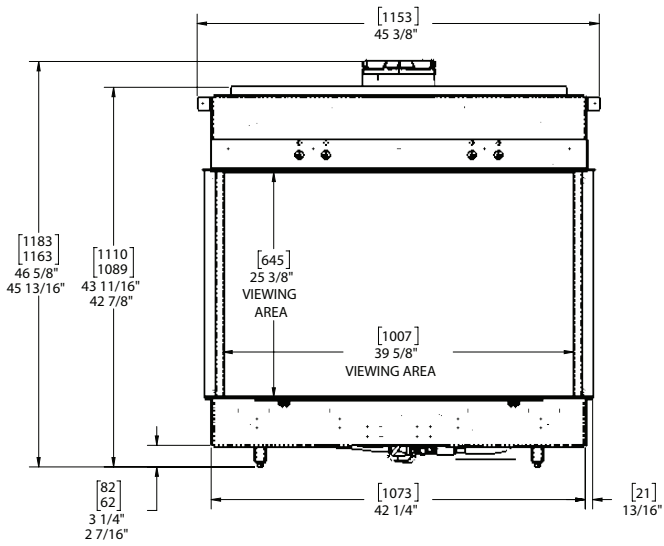
Installation
Reference Guide



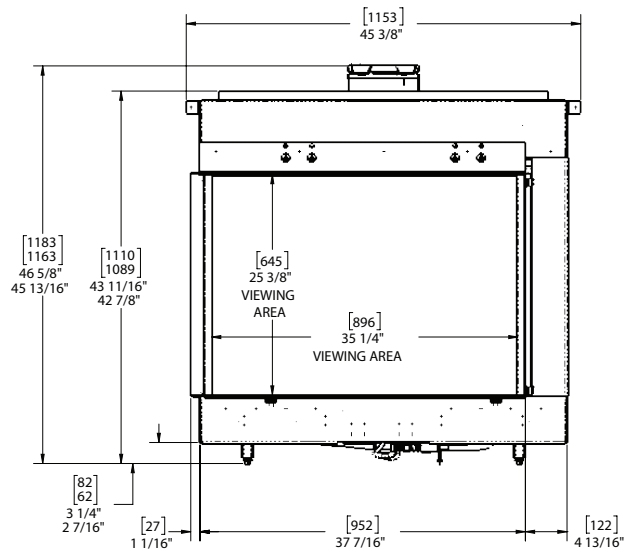
Matrix

3326 Series

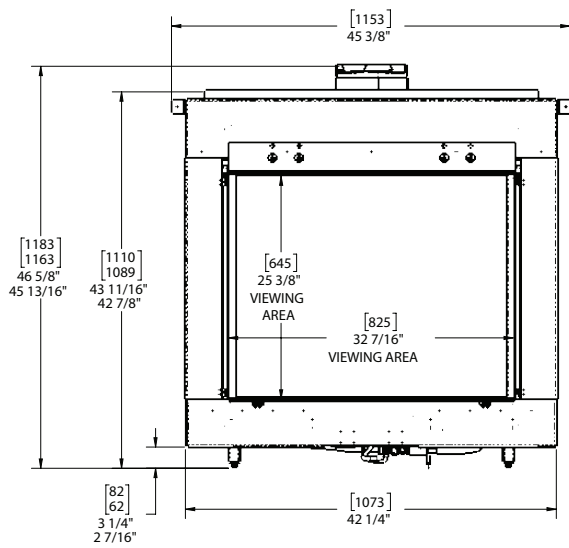
FMG3326F, FMG3726L,
FMG3726R, FMG4126B



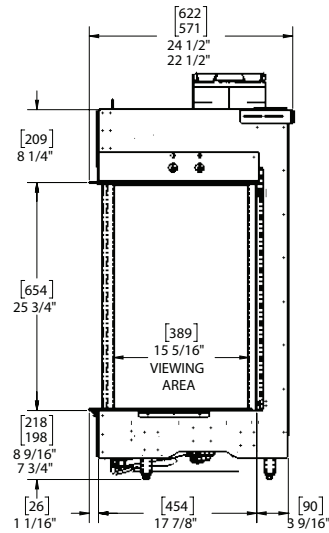
BAY
FMG4126B



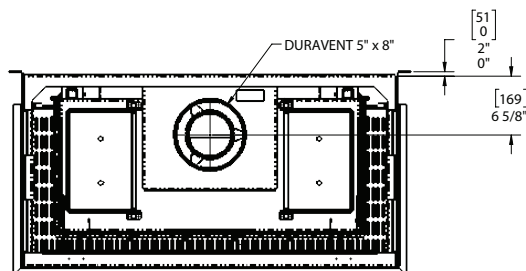
LEFT-RIGHT
FMG3726R / FMG3726L



FRONT
FMG3326F

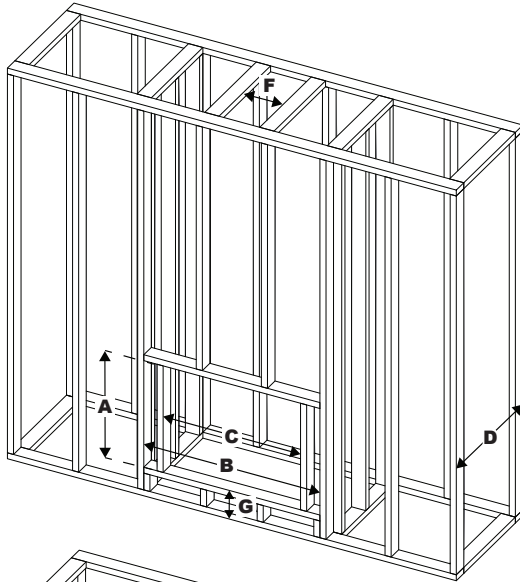


Side view
(Bay and
Left/Right units)

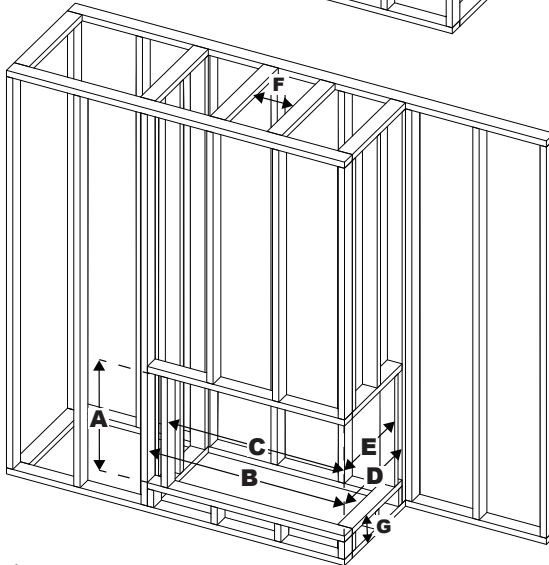


Underside view

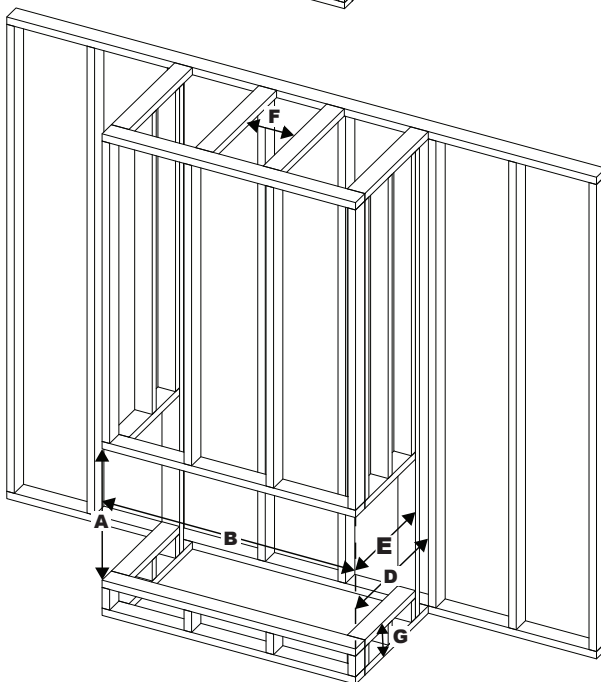
Single-Sided Installation



Two-Sided Installation



Three-Sided Installation



FMG3326F

Reference	Wood framing		Metal Framing	
	inches	mm	inches	mm
A	27	686	27	686
B	44 1/4	1124	43 1/4	1099
C	33 3/4	857	33 3/4	857
D	28 1/2	724	27 1/2	699
F	10	254	10	254
G (min.)	7 1/4	184	7 1/4	184

FMG3726L/FMG3726R

Reference	Wood framing		Metal Framing	
	inches	mm	inches	mm
A	27	686	27	686
B	47 7/8	1216	46 7/8	1191
C	42 5/8	1083	42 1/8	1070
D	28 1/2	724	27 1/2	699
E	23 1/8	587	22 5/8	575
F	10	254	10	254
G (min.)	7 1/4	184	7 1/4	184

FMG4126B

Reference	Wood framing		Metal Framing	
	inches	mm	inches	mm
A	27	686	27	686
B	51 1/2	1308	50 1/2	1283
D	28 1/2	724	27 1/2	699
E	23 1/8	587	22 5/8	575
F	10	254	10	254
G (min.)	7 1/4	184	7 1/4	184

Clearance to Metal Framing

The minimum clearance to metal framing is 1/2" (13 mm).

Metal Studs

Clearance to side stud: 1/2" (13 mm)

Clearance to Non-Combustible Back Wall: 2" (51mm) Min.

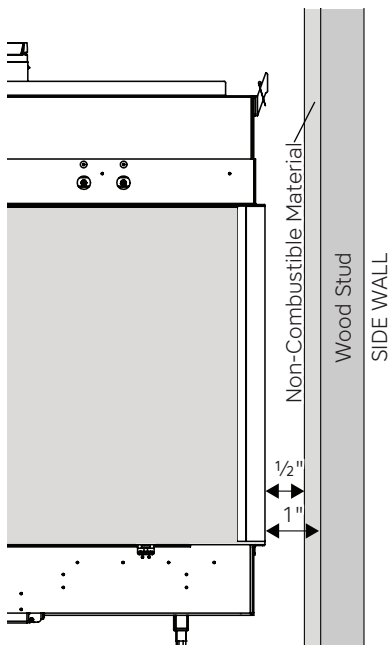
Wood Studs with Metal Header

Clearance to Non-Combustible Board (SIDES): 1/2" (13mm) Min

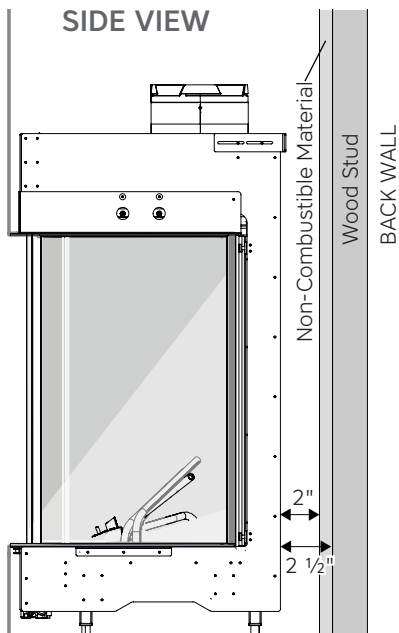
Clearance to Non-Combustible Board (BACK WALL): 2" (51mm) Min.

Clearance to Covered Combustible Stud (WOOD): 2 1/2" (64mm) Min.

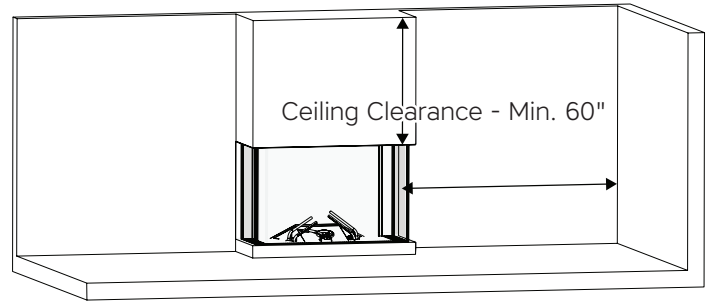
FRONT VIEW



SIDE VIEW



Ceiling Clearance

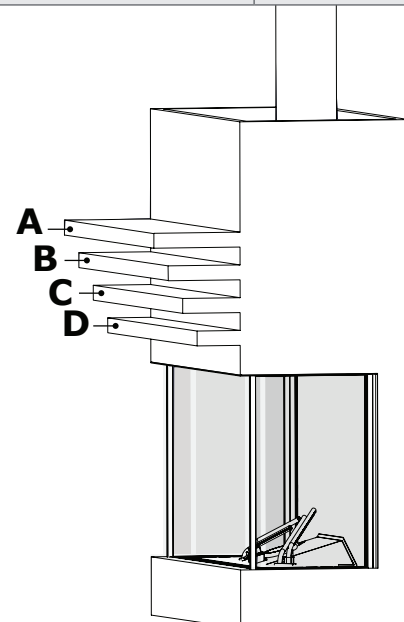


Adjacent Wall - Min. 7" from Glass

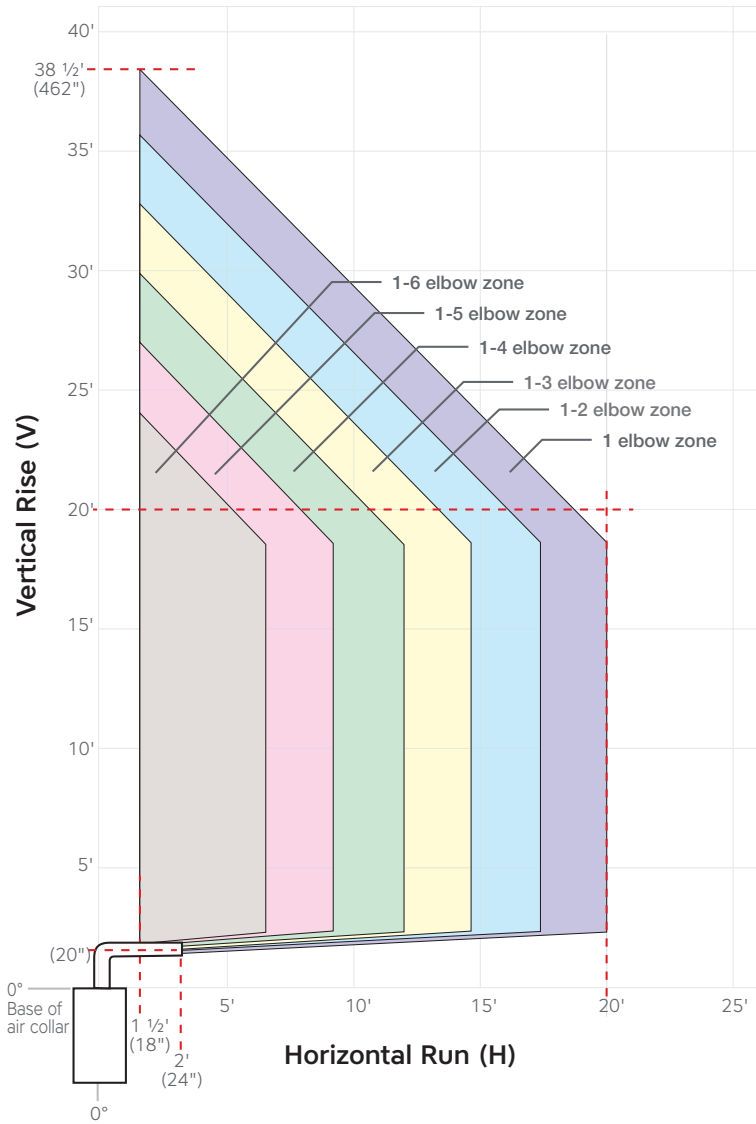
Mantel Clearance

The necessary clearance for a mantel made of combustible materials (e.g., wood) varies according to the mantel depth and height. Use the following table and illustration for information on mantel clearance requirements for mantels made of combustible material installed less than 10" (254 mm) above the top of the fireplace. Do not anchor any mantel or shelf to the fireplace. Only use metal studs above the fireplace as anchor points.

Ref.	Height	Max. Depth
-	> 10" > 254 mm	No maximum
A	10" / 254 mm	12" / 305 mm
B	6" / 152 mm	6" / 152 mm
C	4" / 101 mm	4" / 101 mm
D	2" / 51 mm	1" - 25 mm



Allowable Vent Configurations for Horizontal Vent Termination



$$V+H \leq 40 \text{ ft.}$$

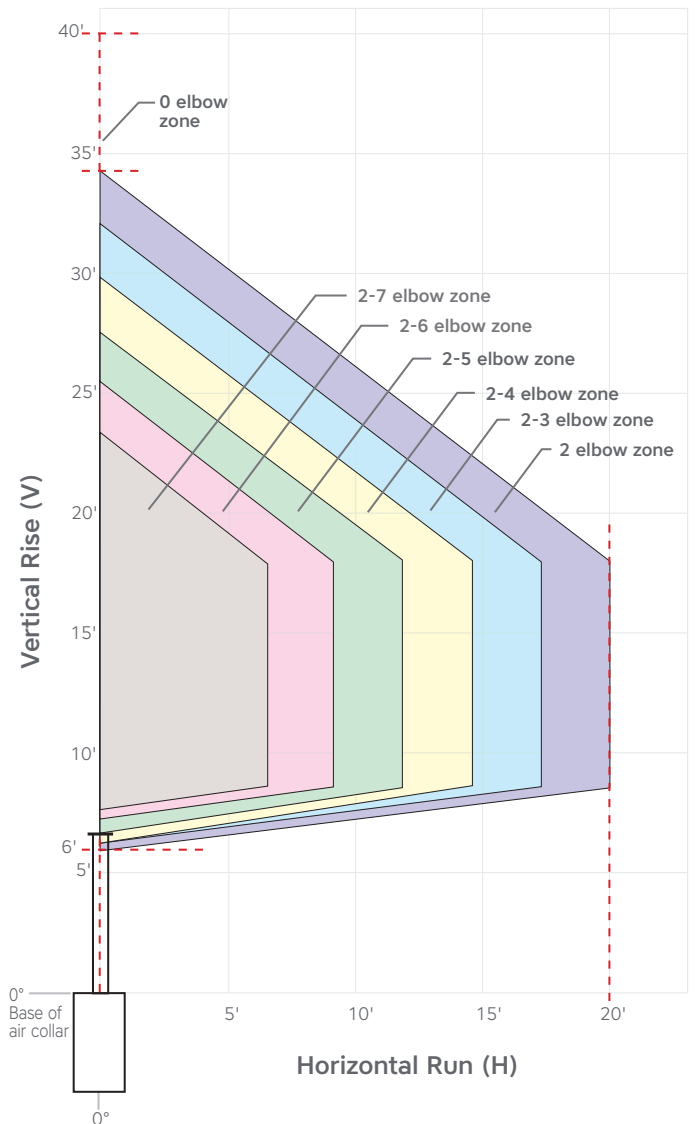
$$H \leq 20 \text{ ft.}$$

V + H are measured from the centre of the vent elbows.

Elbows are considered as 90°.

Two 45° elbows = One 90° elbow.

Allowable Vent Configurations for Vertical Vent Terminations (For All Models)



$$V+H \leq 40 \text{ ft.}$$

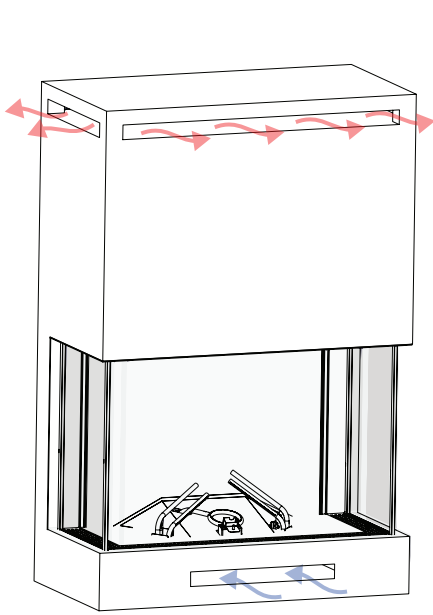
$$H \leq 20 \text{ ft.}$$

V + H are measured from the centre of the vent elbows.

Elbows are considered as 90°.

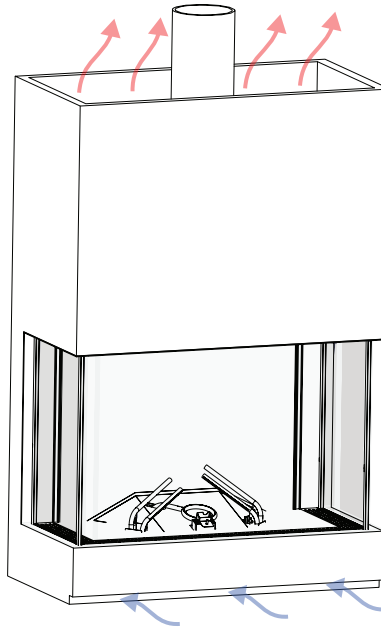
Two 45° elbows = One 90° elbow.

Note: A 6' (1.83 m) minimum vertical rise is considered the minimum practical dimension for the specific appliance enclosure and a minimal building structure. However, a greater minimum vertical rise may be needed to suit the specific application constraints or local codes and / or regulatory requirements.



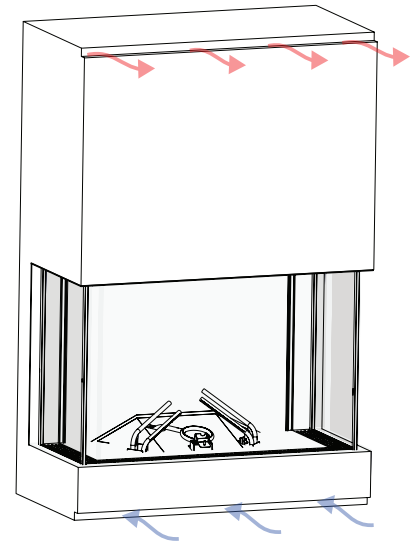
Classic Registers

Openings at the front, sides, or back (pick one or more) can be covered with vent registers. It is possible to heat multiple rooms this way.



Drop Wall

The wall does not reach the ceiling and is left open on top.

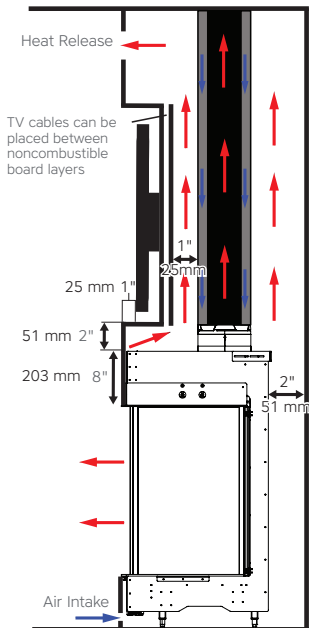


Shadow Line

A recess hides the opening at the top for a heat release and/or a at the bottom for air intake.

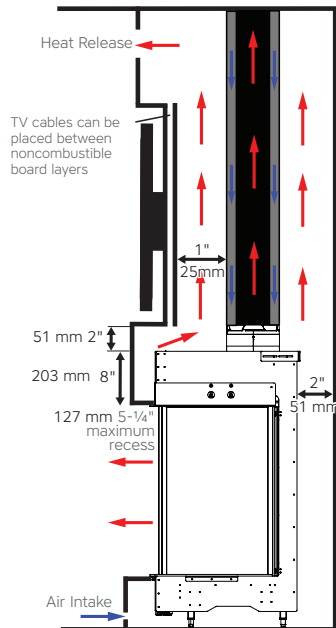
Television Mounting

Flat with Recessed TV



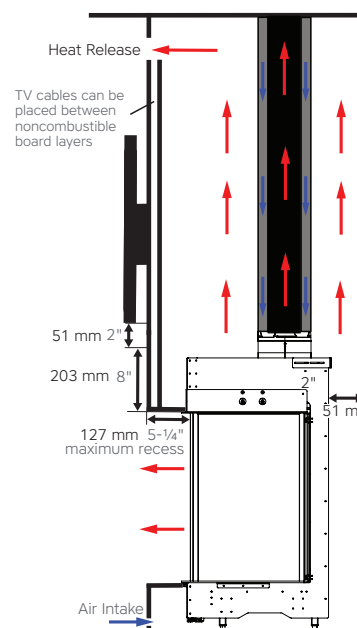
* All measurements shown are minimum requirements.

Recessed with Recessed TV



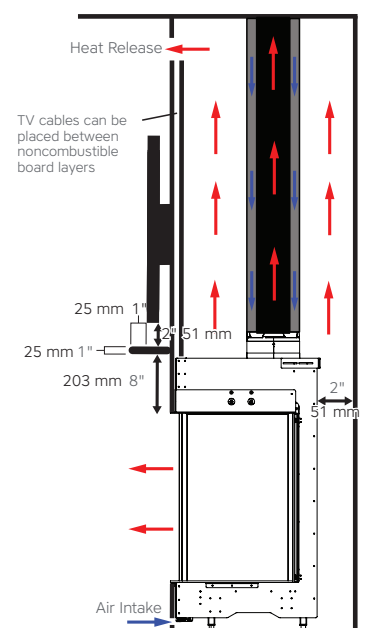
* All measurements shown are minimum requirements.

Television Installed Flush Above Fireplace



* All measurements shown are minimum requirements.

Television Install Without Recess



* All measurements shown are minimum requirements.

Minimum Requirements for Installing a Television Without a Recess:

The TV must be at least 11" (280 mm) total above the glass of the fireplace.

A mantel at least 1" (25 mm) thick and 6" (152 mm) deep should be installed a minimum of 8" (203 mm) above the glass.

The TV must be at least 2" (51 mm) above the mantel and 1" back from the edge of the mantel.